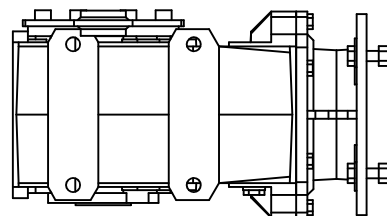
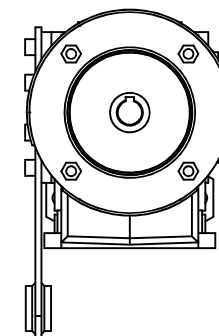
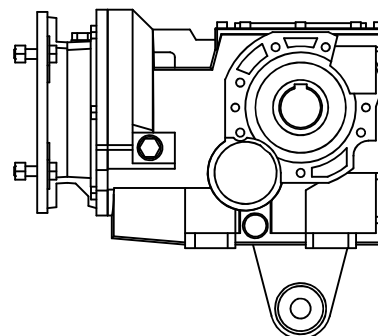
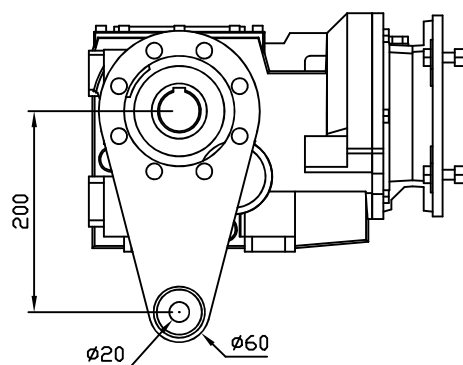
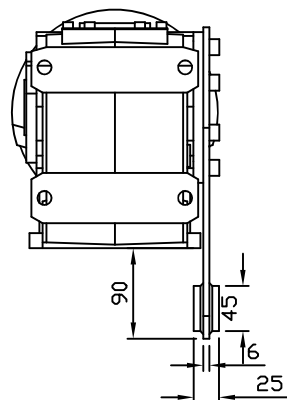
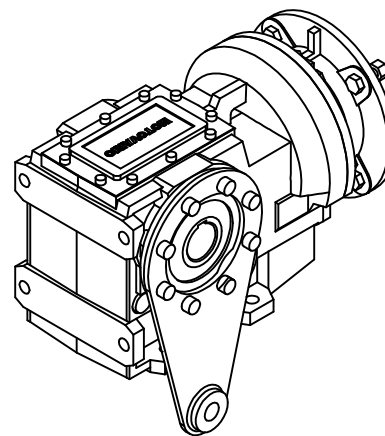
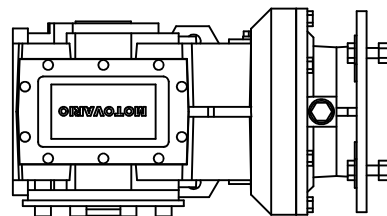
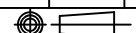


| | |
|--------------------|-----------------|
| REDUCER SPEC | |
| MODEL | B083 TORQUE ARM |
| SERVICE FACTOR | |
| RATIO | |
| OUTPUT [rpm] | |
| OUTPUT TORQUE [Nm] | |
| WEIGHT [kg] | 32 |



| | | | | | | | | |
|----------|---------|-----------|--|---|----|-------|-----|--|
| PROJECT | | MOTOVARIO | | | | | | |
| DRAWN | SEO Y.S | DATE | | REV | A | SCALE | 1:1 | |
| CHECKED | KIM J.S | DATE | | UNIT | MM | PAGE | - | |
| APPROVED | LEE J.Y | DATE | |  | | | | |