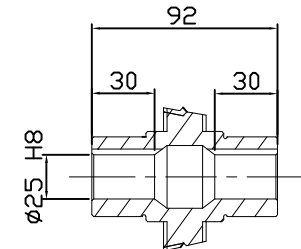
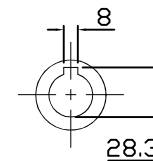
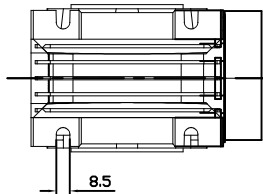
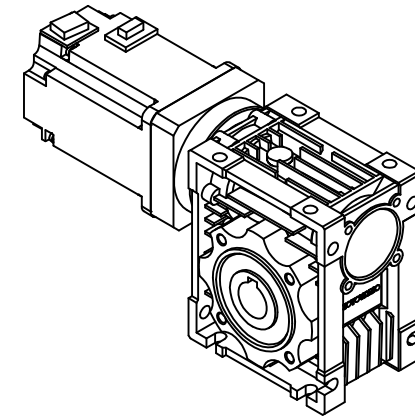
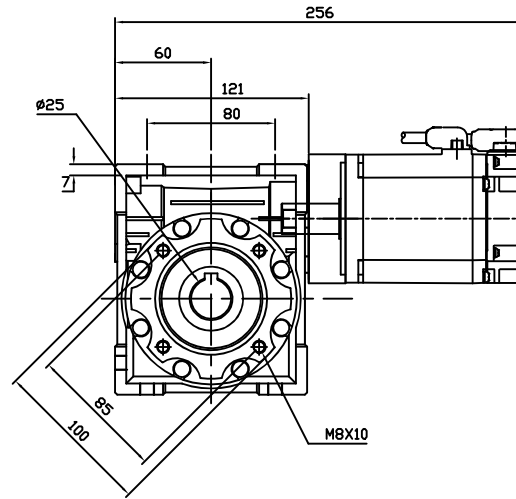
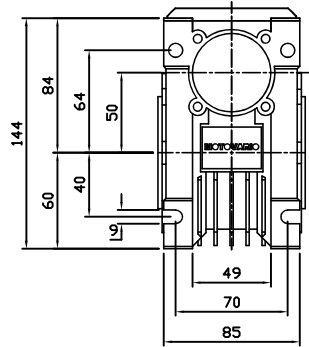


REDUCER SPEC	
MODEL	NMRV 050
SERVICE FACTOR	3.9
RATIO	5
OUTPUT [rpm]	600
OUTPUT TORQUE [Nm]	9.8
BACKLASH [arc-m]	18' - 32'
WEIGHT [kg]	3.5
MOTOR SPEC	
MODEL	HG-KR73
POWER [kW]	0.7
INPUT [rpm]	3000
WEIGHT [kg]	2.8



OUTPUT HOLLOW SHAFT

<p><b>(주)한국체인모터</b> Tel. 032-815-8888 Fax. 815-8020 www.hcmfa.com</p>	PROJECT		MOTOVARIO				
	DRAWN	SEO Y.S	DATE	REV	A	SCALE	1:1
	CHECKED	KIM J.S	DATE	UNIT	MM	PAGE	-
	APPROVED	LEE J.Y	DATE				