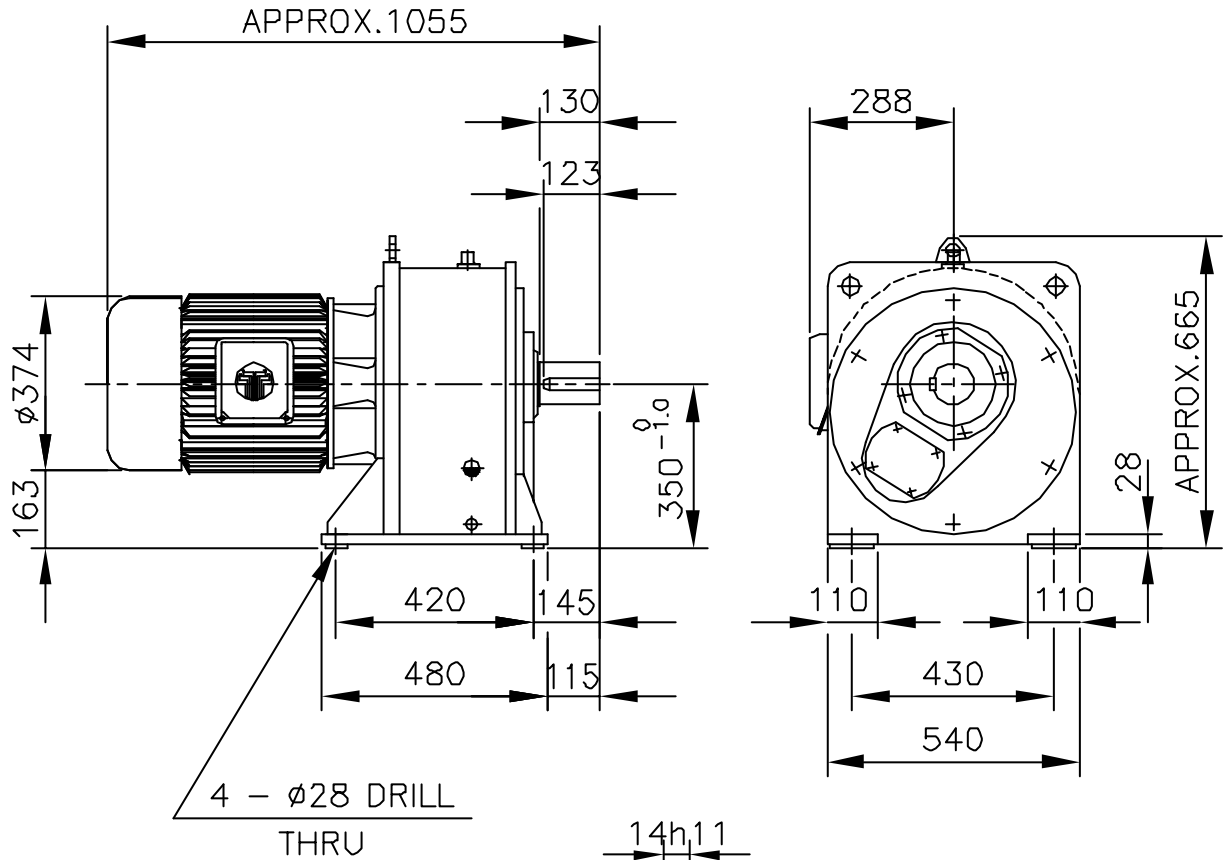
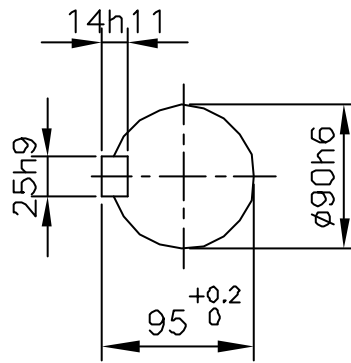


REV	DESCRIPTION	APPR	CHCK	DRWN	DATE
△					
△					
△					
△					



OUTPUT SHAFT

KEY 25 x 14 x 110



		BEARING			
	OIL SEAL	6209ZZ	6311ZZ	OIL : ISO VG 220	
	D(M) 50 x 72 x 12	30309	30211	ABOUT 15 l	
공용적용	D(M) 95 x 120 x 13	30214	30219	WEIGHT 475 Kg	

50HZ	TYPE FHM				DWG. NAME			
11KW 6P 18.5KW 4P	18.5KW 4P 25~30				OUTLINE DIMENSION			
60HZ	APPROV	CHECK	DESIGN	DRAWN	THIRD ANGLE PROJECTION	SCALE	1/16	DATE 2004.01.14
15KW 6P 18.5KW 4P	홍권철 04.01.14		장정구 04.01.14		REF DWG NO.	180M		
HYOSUNG CORPORATION					DWG NO.	G K E N 9 4 2		