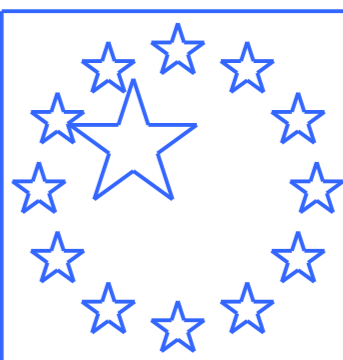
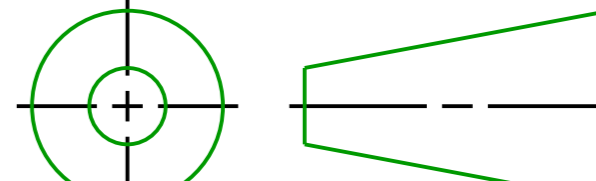


|   |      |  |              |     |
|---|------|--|--------------|-----|
| PART NO.<br>ABR2202-P0403600102<br>AD-P200-M142-2 |      |  <b>APEX DYNAMICS, INC.</b> |              |     |
| APPROVALS   | DATE | TITLE<br>ABR220 2 STAGES<br>AND MOTOR FLANGE MOUNTING  |              |     |
| DRAWN   |      | DWG NO.<br>ABR2202-P0403600102   |              |     |
| CHECKED   |      | SIZE<br>2A0  | SCALE<br>1:1 | REV |
| APPROVED  |      |                             |              |     |

C:\BUSH\BUSHEN\BUSHEN\142-25-000-000000