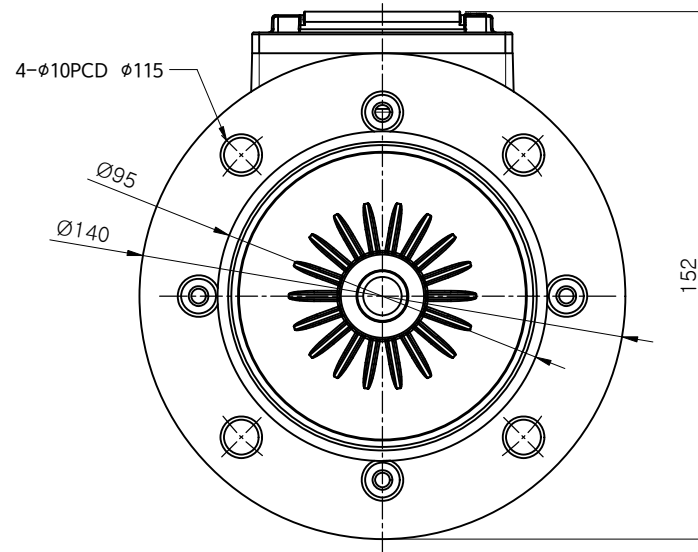
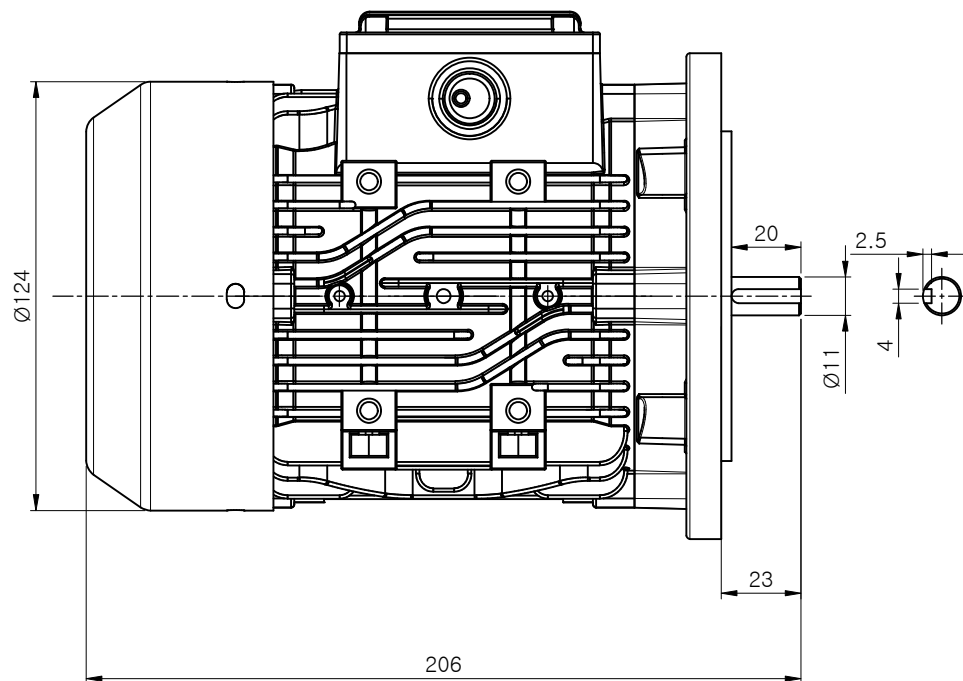


CUSTOMER

3Ø 0.2KW(0.25HP) 4P B5

No.	Description of Revision	Date	Name	Approval
△ X				

2023.11.28



DRAWING	KIM S. C	DATE	2023.11.28	3RD ANGLE PROJECTION	Title B5 3Ø 0.25HP 4P
DESIGNED		SCALE	1/1	SHEET 1/1	
CHECKED		UNIT	MM		
APPROVED					Drawing No. IE1 B5 300.254A

IK IK ELECTRIC CO., LTD.

Model No. IKM-024P REV. 0

This drawing contains information that is proprietary to IK Electric Co.,Ltd And should not be used without written permission.